



Complete freedom of movement  
Sliding Door Hardware



# Catalogue summary



Single Door Set for Medium Duty Doors  
**Top Line 150**

---

1 - 2



Single Door Set for Heavy Duty Doors  
**Top Line 325**

---

3 - 4



Optional Accessories  
**Top Line 150 & 325**

---

5 - 6



Single Door Set for Heavy Duty Doors  
**Top Line 500**

---

7 - 8

# Single Door Set for Medium Duty Doors

## Top Line 150

up to 68 kg/door

for door thickness 25 mm minimum, top mount, adjustable



### Top Line 150

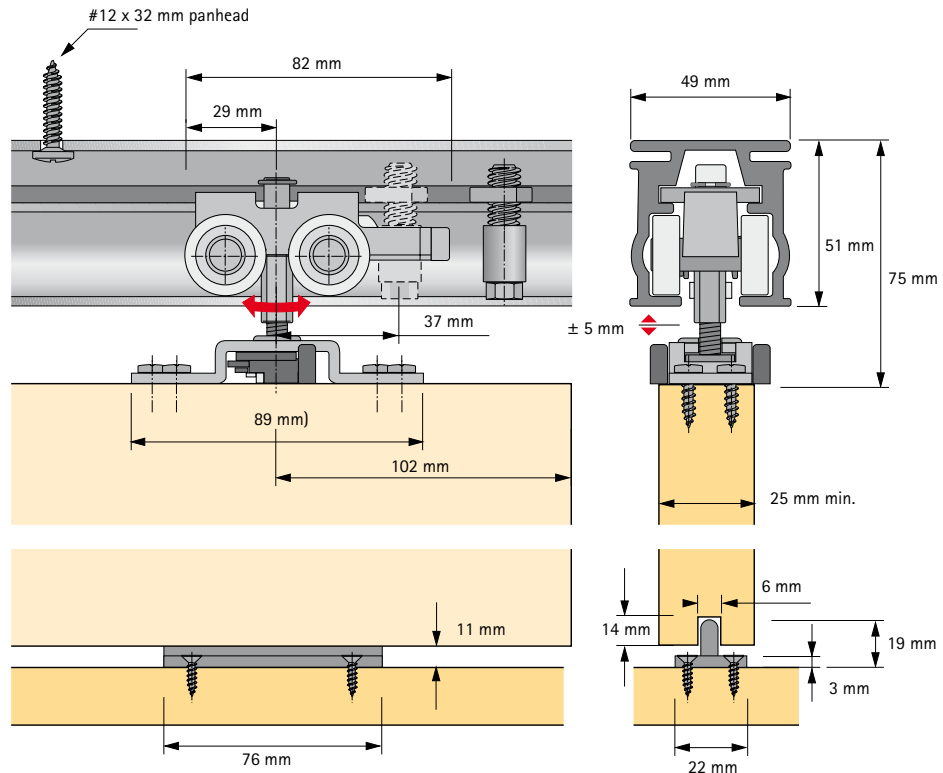
The Top Line 150 Series is a medium duty commercial and residential grade sliding door hardware series ideal for single and bi-parting installations. Applications include doors between rooms, closet doors, cabinets, and storage walls.

- Precision ball bearing wheels guarantee smooth, quiet, and long lasting performance.
- Quick release mechanism for easy door installation and removal.
- Self-levelling corrects for misalignment between header and track.
- $\pm 5$  mm vertical adjustment; minimal headroom required.
- Heavy duty aluminium box track with anodized finish.
- Easy-install Endstop catch.
- Wall mount brackets available.
- Snap-in fascias available, no tools required.
- Conforms to ANSI/BHMA standards, Grade 1

Although designed for single doors, by-passing doors can be accommodated by mounting parallel tracks. By using one additional set of hardware, bi-parting installations can be achieved.

The track is available in lengths up to 4800mm

Patent Pending



Technical specifications are subject to change without notice

**Specifications:**

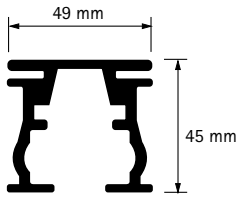
Mounting: Top  
 Adjustment: ± 5 mm vertical  
 Door thickness: 25 mm min.  
 Headroom: 54 mm min., 64 mm max.  
 Application: Single, bi-parting & by-passing

**Top Line 150**

**Option I**  
Track only

**Single track 150**

Aluminium extruded, anodized finish



Length	Order no.	PU
3000 mm	113 413 5	5
3600 mm	113 413 6	5
4800 mm	113 413 7	5

Screws not included - recommend # 8 panhead

**Option II**  
Hardware set only

**Top Line 150 hardware set**  
(without track)

The hardware set includes:  
 2 carriers 150 series with precision ball bearing wheels  
 2 quick release top plates with adjustable pendant bolts  
 2 endstop catches  
 1 floor guide 7015  
 necessary screws  
 installation instructions

Article	Order no.	PU
Hardware set	113 414 5	10 sets

**Components**

**Top Line 150 components**

**Carrier 150 with quick release top plate**

Four precision ball bearing wheels, self-levelling, adjustable

Screws included

Pcs
2 - pcs



**Endstop Catch 150/325**

Steel, easy to insert into track, simply turn sideways, insert into track, and turn to lock into place, adjustable, holds system in position, works with 150 and 325 series

Pcs
2 - pcs



Finish	Order no.	PU
Zinc plated	113 424 5	10

**Floor guide 7015**

Zamac  
 Dimensions:  
 (76 mm x 22 mm x 19 mm)

Screws included

Pcs
1 - pcs



**Optional parts (not included in set)**

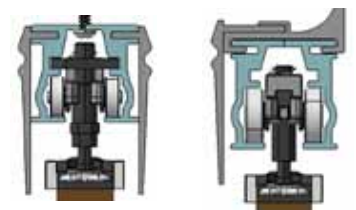
**Wall mount bracket**

Aluminium, Anodized finish



**Fascia**

Track and wall mount fascias



Refer to pages 6 and 7 for optional accessories

# Single Door Set for Heavy Duty Doors

## Top Line 325

up to 147 kg/door

for door thickness 25.4 mm minimum, top mount, adjustable



### Top Line 325

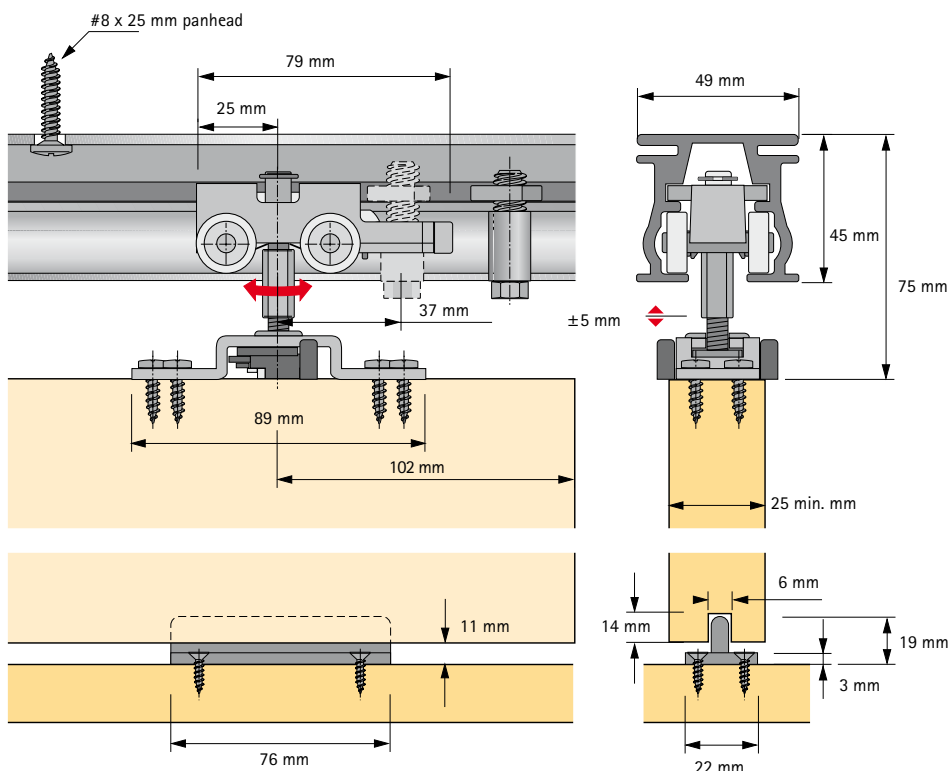
The Top Line 325 Series is a heavy duty commercial and residential grade sliding door hardware series ideal for single and bi-parting installations. Applications include the movement of heavy panels, space dividers or large doors.

- Precision ball bearing wheels guarantee smooth, quiet, and long lasting performance.
- Quick release mechanism for easy door installation and removal.
- Self-levelling corrects for misalignment between header and track.
- $\pm 5$  mm vertical adjustment; minimal headroom required.
- Heavy duty aluminium box track with anodized finish.
- Easy-install Endstop catch.
- Wall mount brackets available.
- Snap-in fascias available, no tools required.
- Conforms to ANSI/BHMA standards, Grade 1

Although designed for single doors, by-passing doors can be achieved by mounting parallel tracks. By using one additional set of hardware, bi-parting installations can be achieved.

The track is available in lengths up to 4800 mm

Patent Pending



Technical specifications are subject to change without notice

## Specifications:

Mounting:	Top
Adjustment:	± 5 mm vertical
Door thickness:	25 mm min.
Headroom:	71 mm min., 80 mm max.
Application:	Single, bi-parting & by-passing

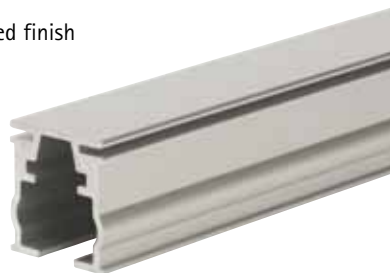
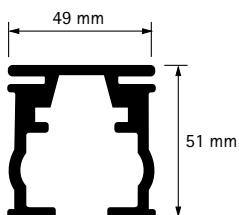
### Top Line 325

#### Option I

Track only

#### Single track 325

Aluminium extruded, anodized finish



Length	Order no.	PU
3000 mm	113 414 0	5
3600 mm	113 414 1	5
4800 mm	113 414 2	5

Screws not included - recommend # 12 panhead

#### Option II

Hardware set only

#### Top Line 325 hardware set (without track)

The hardware set includes:

- 2 carriers 325 series with precision ball bearing wheels
- 2 quick release top plates with adjustable pendant bolts
- 2 endstop catches
- 1 floor guide 7015
- necessary screws
- installation instructions

Article	Order no.	PU
Hardware set	113 414 6	10 sets

### Components

#### Top Line 325 components

##### Carrier 325 with quick release top plate

Four precision ball bearing wheels, self-levelling, adjustable

Screws included



#### Pcs

2 - pcs

##### Endstop Catch 150/325

Steel, easy to insert into track, simply turn sideways, insert into track, and turn to lock into place, adjustable, holds system in position, works with 150 and 325 series



Finish	Order no.	PU
Zinc plated	113 424 5	10

##### Floor guide 7015

Zamac

Dimensions:

76 mm x 22 mm x 19 mm

Screws included



#### Pcs

1 - pcs

### Optional parts (not included in set)

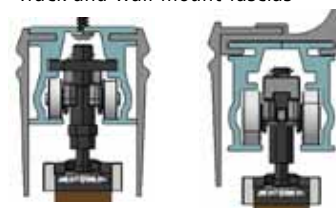
#### Wall mount bracket

Aluminium



#### Fascia

Track and wall mount fascias



Refer to pages 6 and 7 for optional accessories

## Optional Accessories

### Top Line 150 and 325

up to 68 kg/door, up to 147 kg/door

for door thickness 25 mm minimum, top mount, adjustable

#### Top Line 150 & 325 Optional Parts



#### Top Line 150 and 325 Wall Mount Bracket

The Top Line 150/325 Wall mount bracket is ideal for medium and heavy duty single and bi-parting applications where traditional header mounted pocket and sliding doors are not desired or cannot be structurally installed.

- Extruded Aluminium bracket for wall mount applications
- Same bracket used for both the Top Line Grant 150 and 325 track
- Anodized finish
- 406mm spacing recommended as a minimum
- Suitable for 25 mm through 45 mm doors
- Optional Fascia available for wall mount bracket
- Mounting screws included

#### Wall Mount Bracket 150 & 325

Aluminium extruded, anodized finish

Screws included



Article	Order no.	PU
Wall Mt. Bracket 150/325	113 424 4	10

#### Wall Mount Fascia, 150 & 325

Aluminium look finish, easily snaps into the 150/325 Wall mount bracket, hides all the hardware for a clean and upmarket appearance  
No tools or screws required  
Available in lengths up to 4800 mm  
Can be easily trimmed onsite  
Packaged in a protective polybag



Length	Order no.	PU
3000 mm	113 431 8	1
3600 mm	113 431 9	1
4800 mm	113 432 0	1

## Optional Accessories

### Top Line 150 and 325

up to 68 kg/door, up to 147 kg/door

for door thickness 25 mm minimum, top mount, adjustable

#### Top Line 150 & 325 Optional Parts



#### 150/325 Track Fascia, 150 & 325

Aluminium look finish, easily snaps into the 150/325 Wall mount bracket, hides all the hardware for a clean and upscale appearance

No tools or screws required

Available in lengths up to 4800 mm

Can be easily trimmed onsite

Packaged in a protective polybag



Length	Order no.	PU
3000 mm	113 431 1	1
3600 mm	113 431 2	1
4800 mm	113 431 3	1



# Single Door Set for Heavy Duty Doors

## Top Line 500

up to 227 kg/door

for door thickness 35 mm minimum, top mount, adjustable



### Top Line 500

The Top Line 500 Series is a heavy duty line of sliding door hardware recommended for design applications which require the movement of heavy panels, space dividers or large doors.

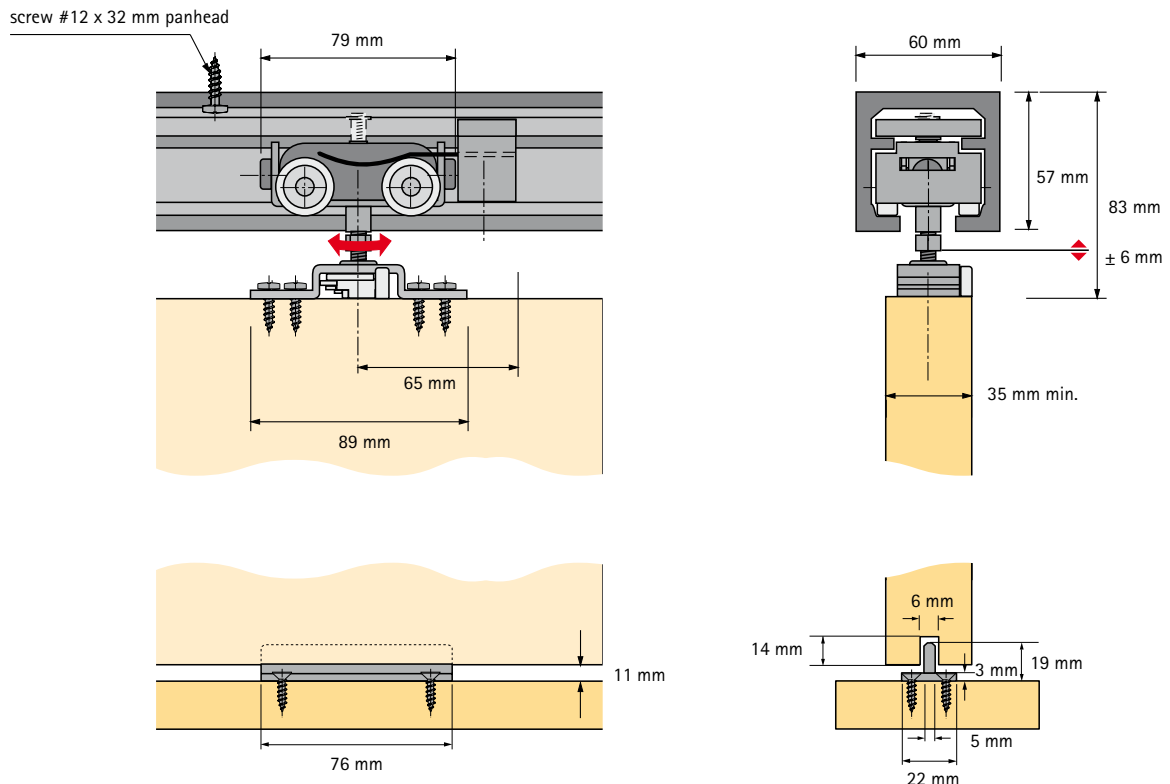
The Top Line 500 sliding door hardware series will easily move heavy partitions or doors weighing up to 227 kg per door.

- Quick release mechanism for easy door installation and removal
- Self-levelling corrects for misalignment between header and track
- $\pm 6$  mm vertical adjustment with minimum headroom
- Precision bearing wheels guarantee a smooth, quiet, and long lasting performance even under full load capacity
- Heavy duty aluminium box track
- Decorative anodized finish for better corrosion resistance
- Outstanding performance and durability
- Conforms to ANSI/BHMA standards, Grade 1

Although designed for single doors, by-passing doors can be accommodated by mounting parallel tracks. By using one additional set of hardware, bi-parting installations can be achieved.

The track is available in lengths up to 4800 mm. Longer lengths are available upon request. Most heavy duty installations are possible with this hardware.

Patent Pending



Technical specifications are subject to change without notice

**Specifications:**

Mounting: Top  
 Adjustment: ± 6 mm vertical  
 Door thickness: 35 mm min.  
 Headroom: 77 mm min., 88 mm max.  
 Application: Single & bi-parting

**Top Line 500**

**Option I**

Hardware set only

**Top Line 500 Series hardware set**  
 (without track)

The hardware set includes:

- 2 carriers 500 series with precision ball bearing wheels
- 2 quick release top plates with adjustable pendant bolts
- 1 endstop catch
- 1 floor guide 7015

necessary screws (top plate and floor guide)  
 installation instructions

Article	Order no.	PU
Hardware set	113 404 4	10 sets

**Top Line 500 Series hardware set contains:**

**Carrier 500 with quick release top plate**

Steel, four precision bearing wheels, with adjustable pendant bolt and top plate with quick release feature, self-levelling



Pcs
2 - pcs

**Endstop Catch 500 Series**

Aluminium extruded bumper with sheet metal spring catch, easily fits into aluminium track, adjustable, holds system in position



Pcs
1 - pcs

**Floor guide 7015**

zamac



Pcs
1 - pcs

**Screw pack**

Contains necessary screws for floor guide and top plate

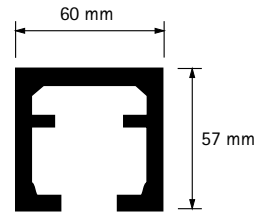
Pcs
1 - set

**Option II**

Track only

**Single track 500 Series**

Aluminium extruded  
 Anodized finish



Length	Order no.	PU
3000 mm	113 404 1	1
3600 mm	113 404 2	1
4800 mm	113 404 3	1

Each track length packed in a heavy duty tube with necessary screws  
 Track lengths over 4800 mm are available on request

**Optional parts**

**Endstop Catch 500 Series**

Aluminium extruded bumper with sheet metal spring catch



Article	Order no.	PU
Endstop Catch	113 407 6	10

Hettich Australia NSW  
1 Herbert Place  
Smithfield 2164, Sydney  
Free Phone 1800 HETTICH  
Free Fax 1800 150 129  
[info@hettich.com.au](mailto:info@hettich.com.au)  
[www.hettich.com.au](http://www.hettich.com.au)

Hettich New Zealand  
18 Barmac Place  
East Tamaki, Auckland  
Free Phone 0800 HETTICH  
Free Fax 0800 73 78 47  
[sales@hettich.co.nz](mailto:sales@hettich.co.nz)  
[www.hettich.co.nz](http://www.hettich.co.nz)